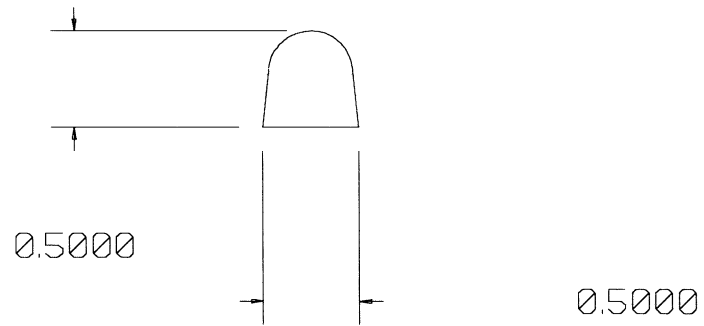


# Bull Nose



**BN-0500**

$\frac{1}{2}$ " x  $\frac{1}{2}$ " Bull Nose  
(250 WW)