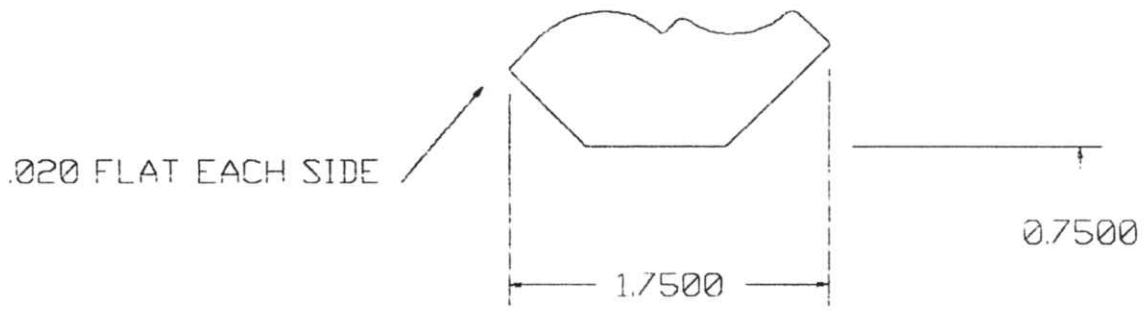


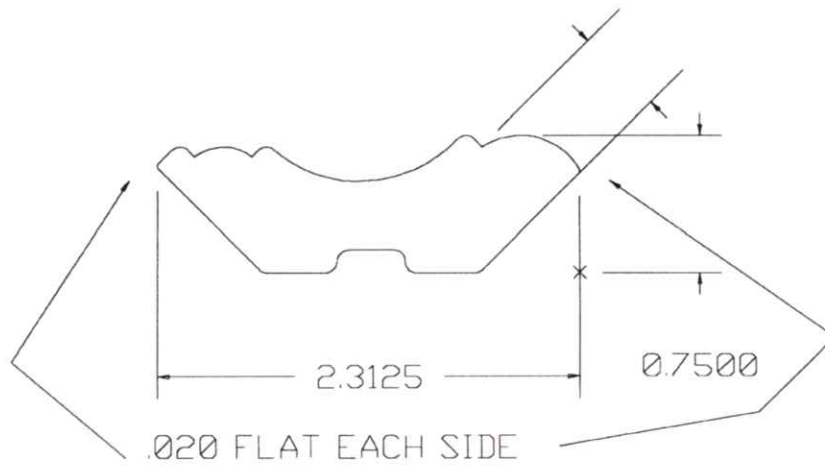
Cove



CO-1750

$\frac{3}{4}$ " x $1 \frac{3}{4}$ " Bed Cove

0.4772



CO-2375

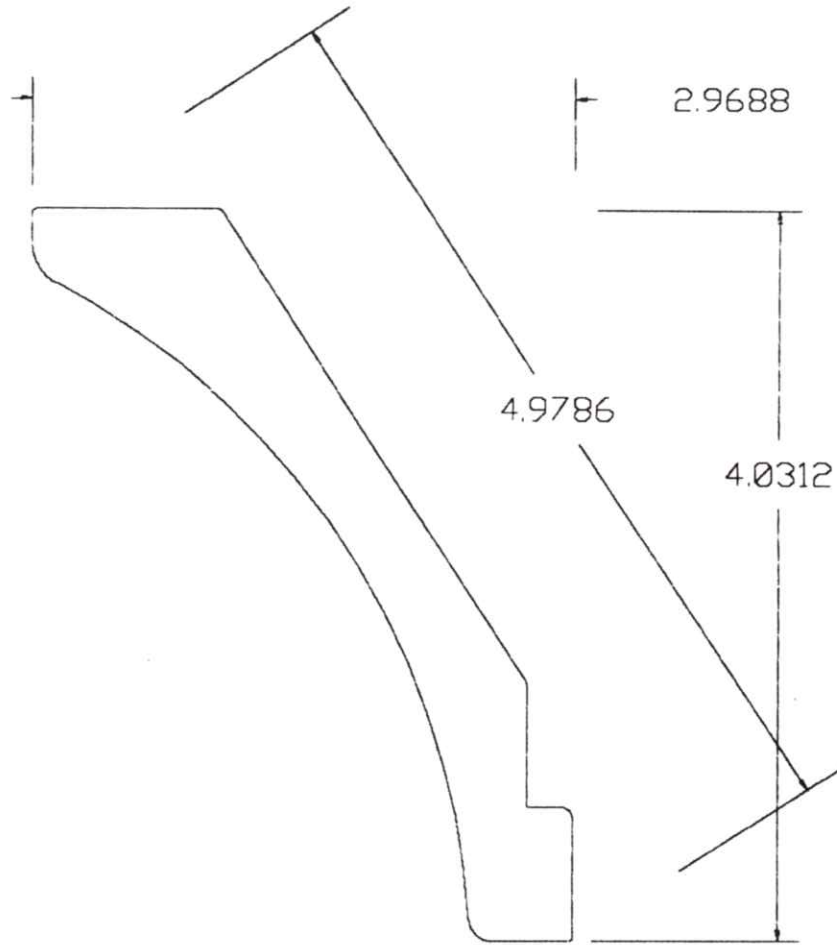
$\frac{3}{4}$ " x $2 \frac{3}{8}$ " Cove



CO-0563

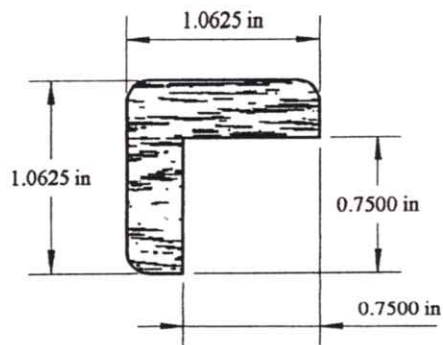
$\frac{9}{16}$ " x $\frac{9}{16}$ " Inside Corner

Cove



CO-5000

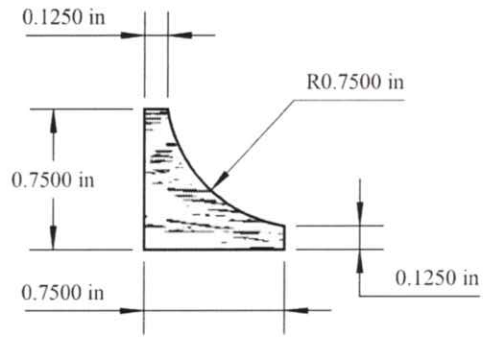
1" x 5" Cove
(TWP Line)



OC-10625

1 1/16" x 1 1/16" Outside Corner

Cove



CO-0750

$\frac{3}{4}$ " X $\frac{3}{4}$ " Cove