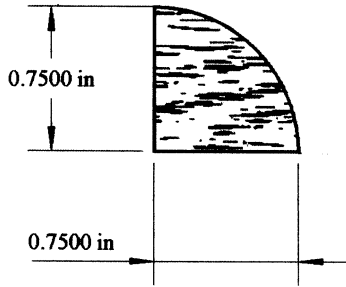
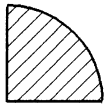


Quarter Round



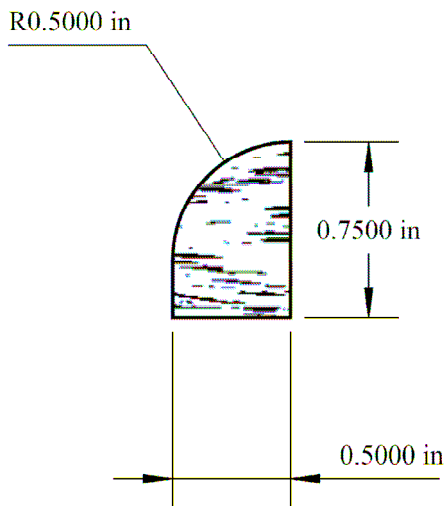
QR-0750

$\frac{3}{4}$ " x $\frac{3}{4}$ " Quarter Round



QR-0500

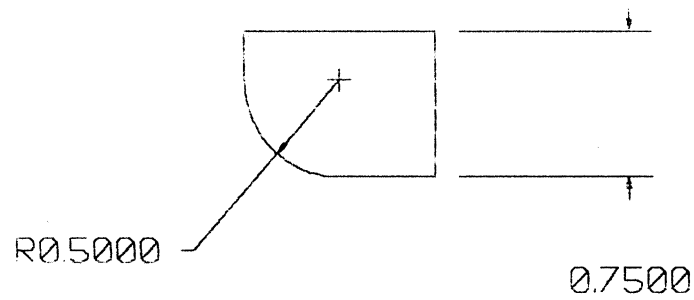
$\frac{1}{2}$ " x $\frac{1}{2}$ " Quarter Round



QR-Shoe Mould

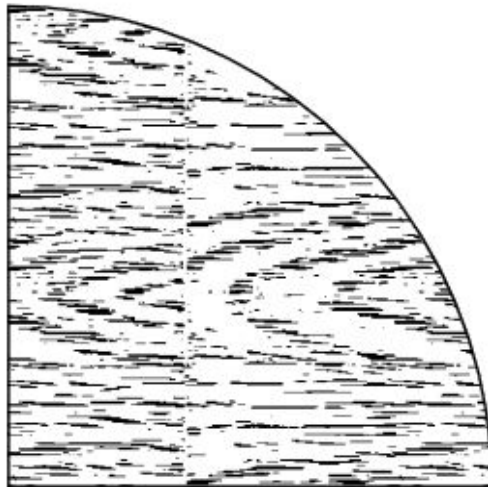
$\frac{1}{2}$ " x $\frac{3}{4}$ " Quarter Round w/ $\frac{1}{2}$ " radius

Quarter Round



QR-1125

$\frac{3}{4}$ " x $1 \frac{1}{8}$ " Quarter Round w/ $\frac{1}{2}$ " radius



QR-2500YT

$2 \frac{1}{2}$ " x $2 \frac{1}{2}$ " Quarter Round
K538CNC