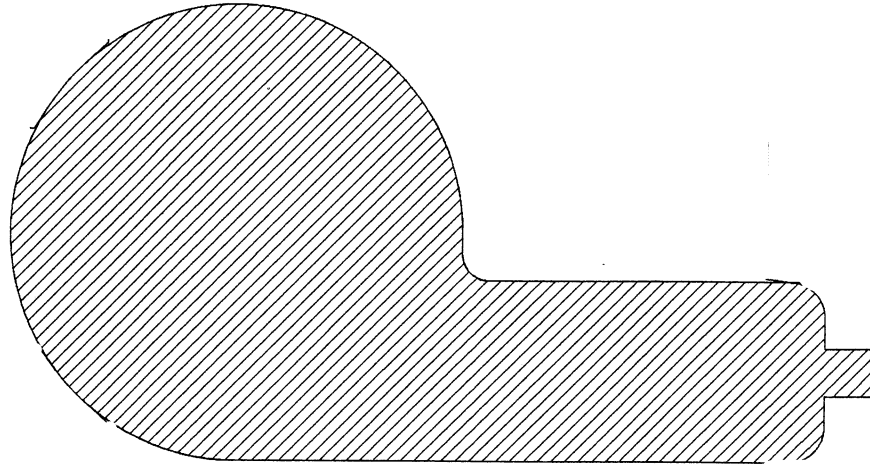
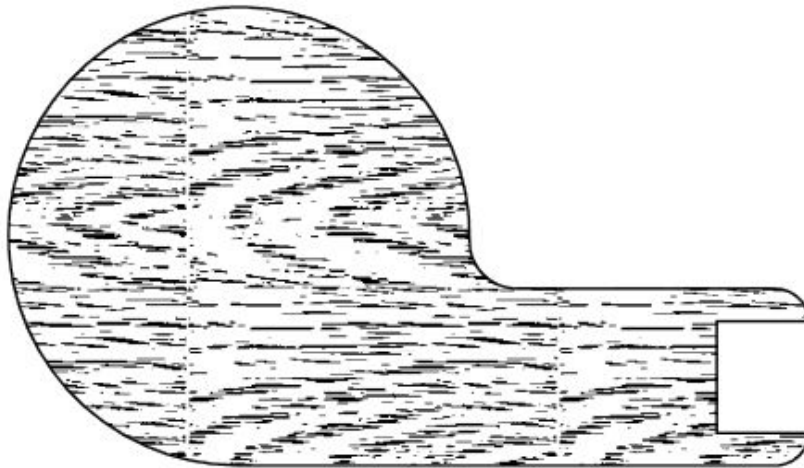


Specialty Pieces



SB-4500T

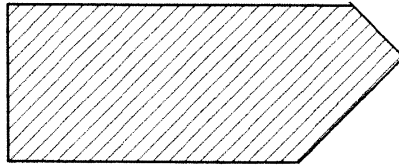
2 3/8" x 4 1/2" Sleigh Bed With Tongue



SB-4250P

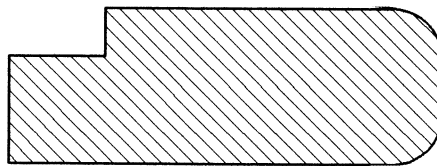
2 3/8" x 4 1/4" Sleigh Bed With Plow
J166CNC

Specialty Pieces



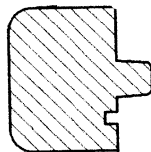
DE-2000QWP

13/16" x 2" Delbert's Corner
(Quality Wood Products_)



WS-2250

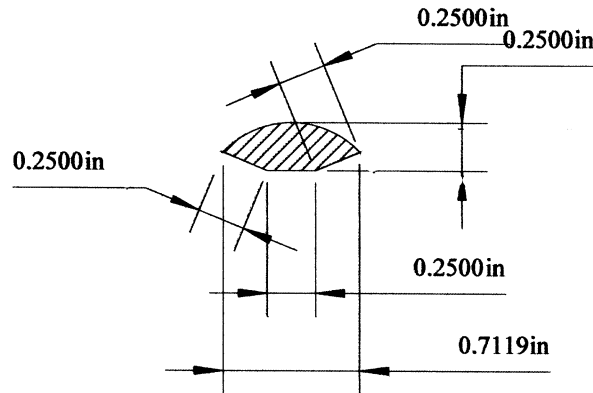
13/16" x 2 1/4" Window Stool



SE-0750

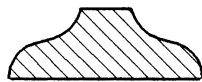
3/4" x 3/4" Shelf Edge

Specialty Pieces



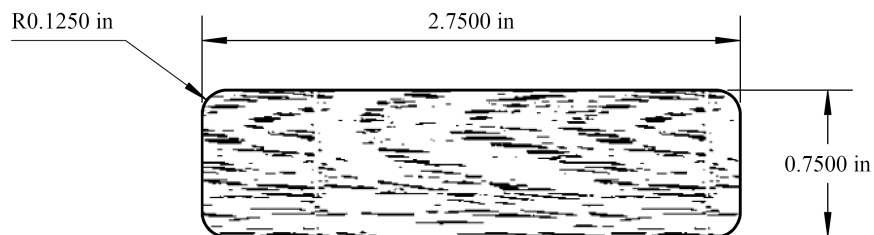
EM-0250

1/4" x 3/4" (45 Degree) Corner Hutch Moulding
(Willis Mast)



FA-1000

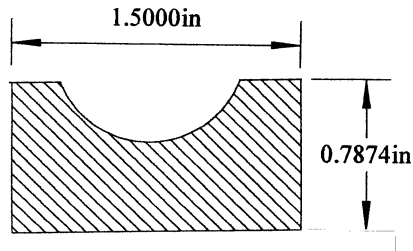
Flat Astragal 1/2" x 1"
(Quality Wood Products)



EE-2750 (Bed Slat)

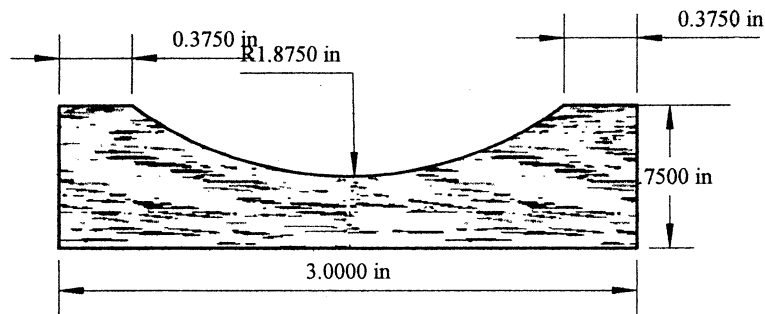
3/4" x 2-3/4" w/ eased edge

Specialty Pieces



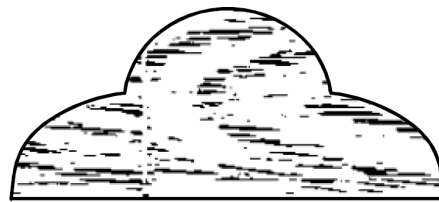
FP-1500YT

20mm x 1 1/2" Finger Pull
(Y&T)



FP-3000

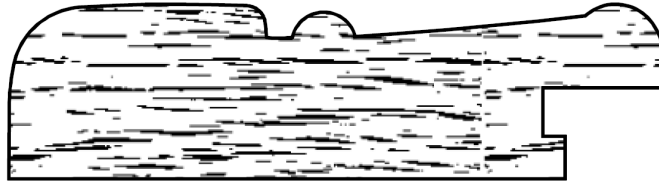
3/4" x 3" Finger Pull



FA-1850VS

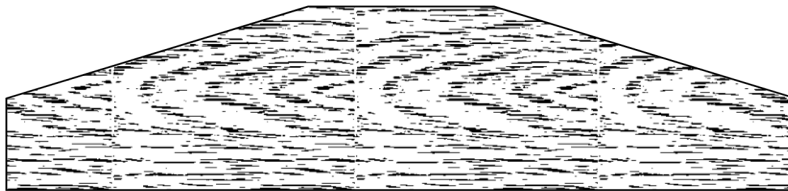
0.8125" x 1.85" Batton Board
(Vicki Slater) H668CNC

Specialty Pieces



DS-2750F

$\frac{3}{4}$ x 2 $\frac{3}{4}$ " Door Stock
(Felver) I307CNC



1 $\frac{1}{2}$ " x 6 $\frac{1}{2}$ " OARDC

Rain Cap
K306CNC